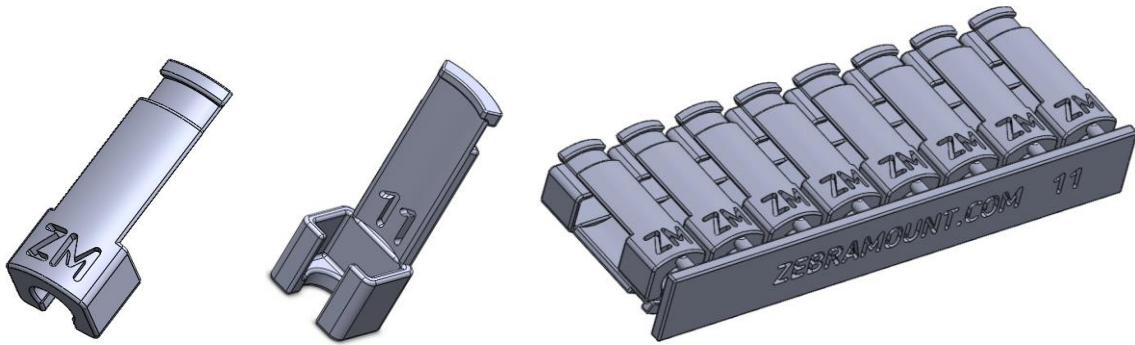


ZM11 - Strain relief P1245

This strain relief secures the connector to the camera head. Fits AXIS P1245 and FA1105.

The strain reliefs must be secured with 2.4mm (0.1") cable ties.



The strain reliefs come in sets of 16 pcs.



Place it over the camera/connector. Use a cable tie to secure the assembly.

Order by using this link:

[ZM11 - Set of 16 pcs strain relief P1245](#)

The parts are intended for indoor use.

Note that the cable ties are not included.

ZM11 - Strain relief P1245

