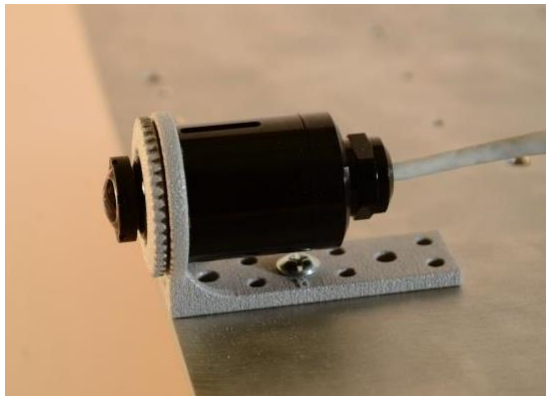
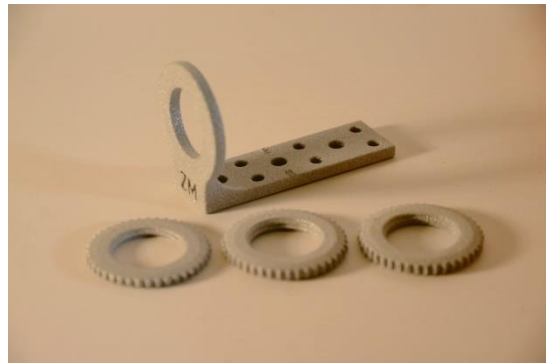
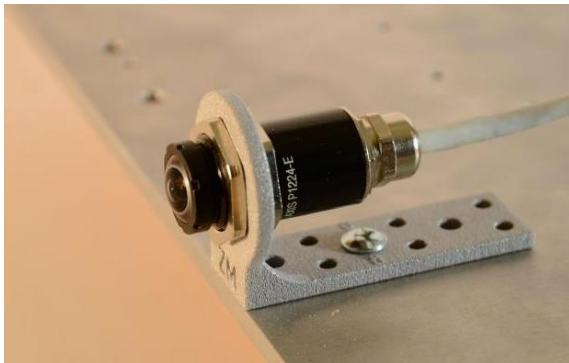


# ZM13 - Bracket 25mm 90deg

These brackets can be used to mount a modular camera. They are designed for modular cameras using an M20x1.5mm thread.

The bracket comes with three M20x1.5mm nuts.

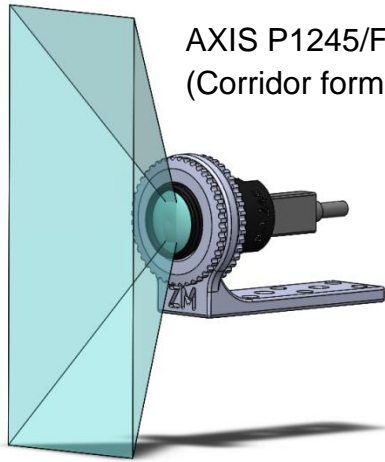


Order by using this link:

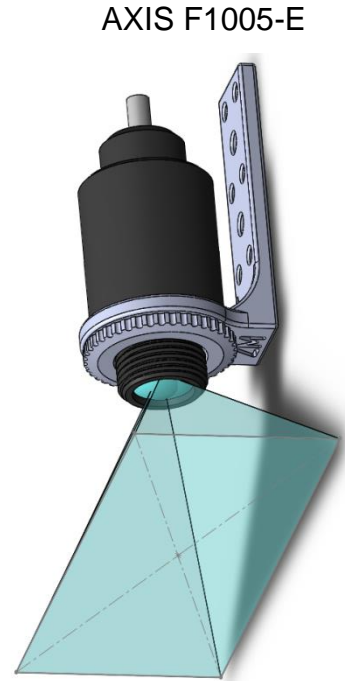
[ZM13 - Bracket 25mm, 90 deg](#)

The parts are intended for indoor use.

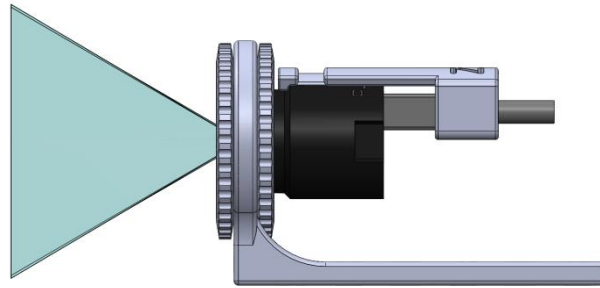
# ZM13 - Bracket 25mm 90deg



AXIS P1245/FA1105  
(Corridor format)



AXIS F1005-E



AXIS P1245/FA1105 + ZM11 (Strain relief)

