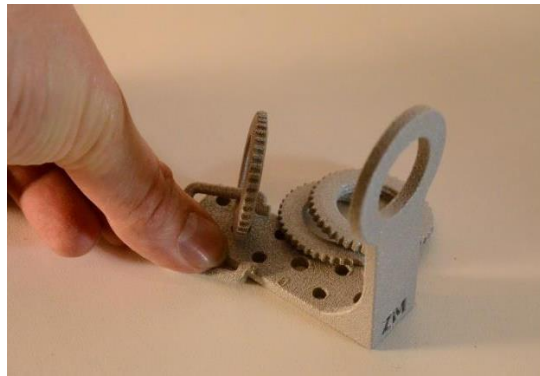
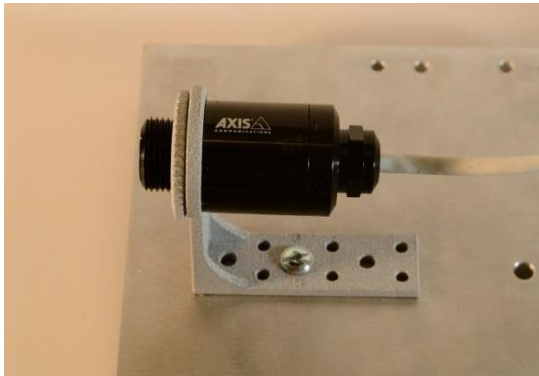
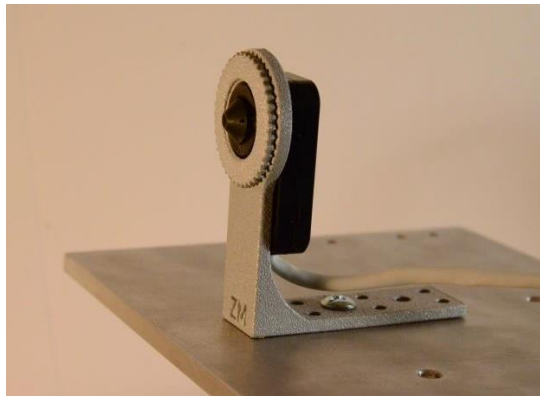


ZM14 - Bracket 55mm 90deg

These brackets can be used to mount a modular camera. They are designed for modular cameras using an M20x1.5mm thread.

The bracket comes with three M20x1.5mm nuts.

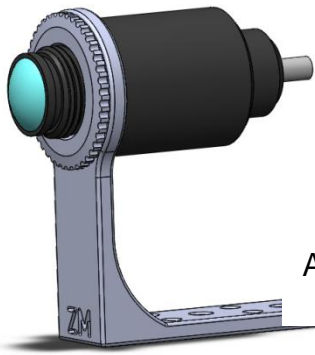


Order by using this link:

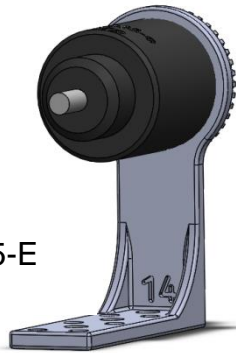
[ZM14 - Bracket 50mm, 90 deg](#)

The parts are intended for indoor use.

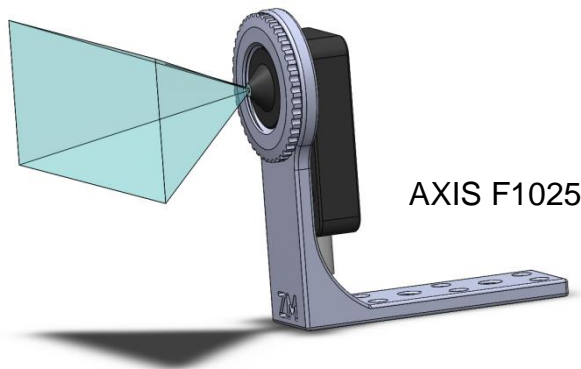
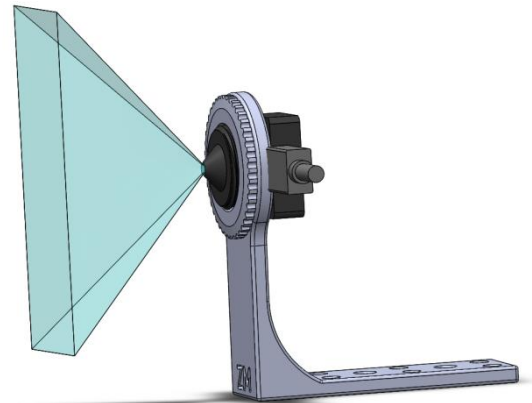
ZM14 - Bracket 55mm 90deg



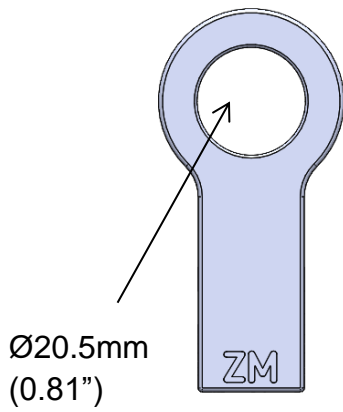
AXIS F1035-E



AXIS P1265
(Corridor format)

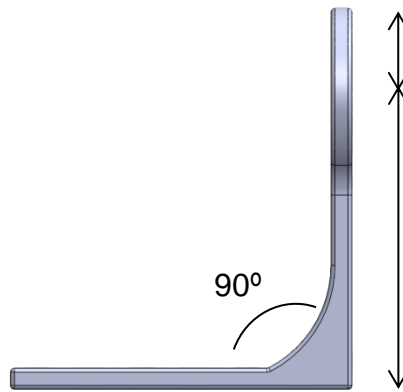


AXIS F1025



Ø20.5mm
(0.81")

20mm
(0.79")



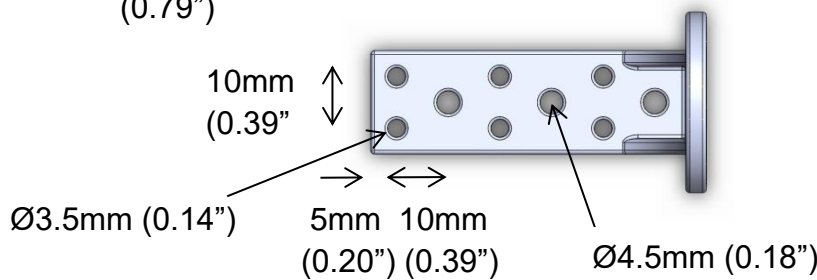
18mm (0.71")

55mm (2.17")

90°

65mm (2.56")

Material thickness
4mm(0.16")



10mm
(0.39")

Ø3.5mm (0.14")

5mm 10mm
(0.20") (0.39")

Ø4.5mm (0.18")