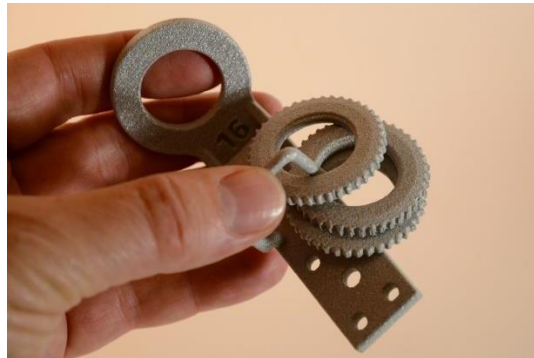
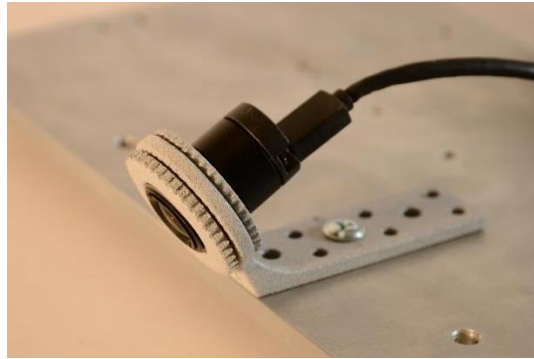
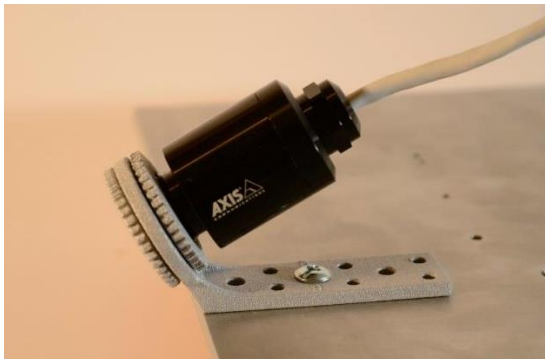


ZM16 - Bracket 25mm 120deg

These brackets can be used to mount a modular camera. They are designed for modular cameras using an M20x1.5mm thread.

The bracket comes with three M20x1.5mm nuts.

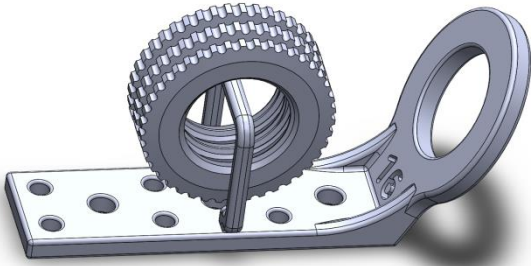


Order by using this link:

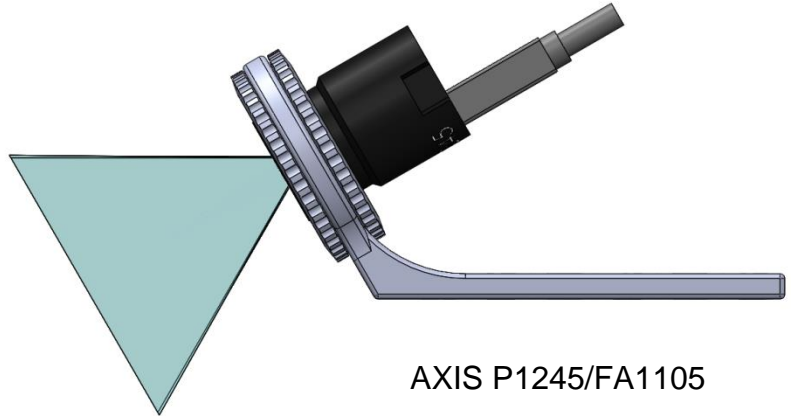
[ZM16 - Bracket 25mm, 120 deg](#)

The parts are intended for indoor use.

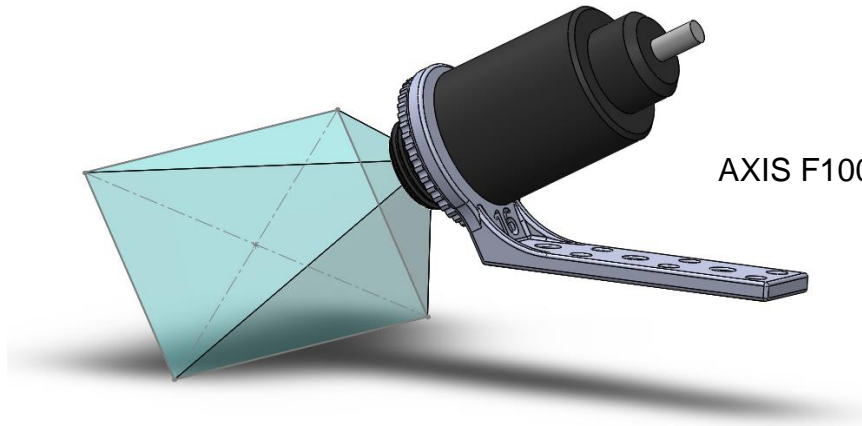
ZM16 - Bracket 25mm 120deg



The nuts are mounted on a hoop. Break it off.



AXIS P1245/FA1105



AXIS F1005-E

