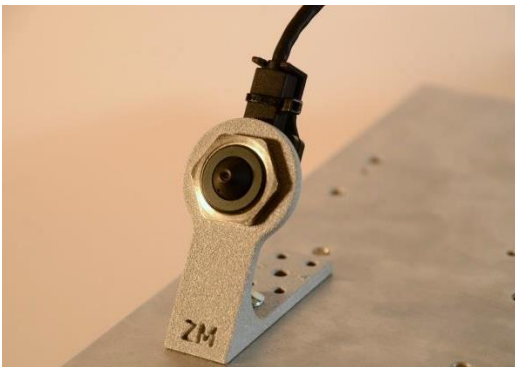
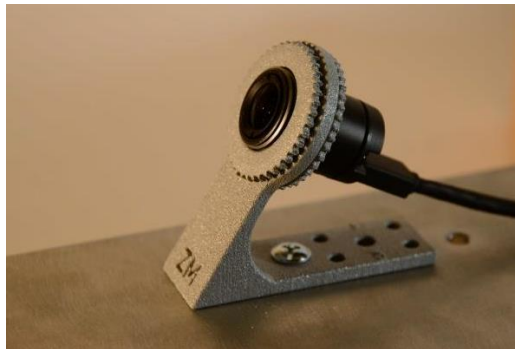
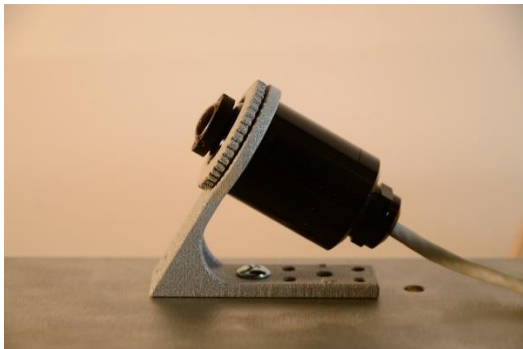


ZM19 - Bracket 50mm 60deg

These brackets can be used to mount a modular camera. They are designed for modular cameras using an M20x1.5mm thread.

The bracket comes with three M20x1.5mm nuts.

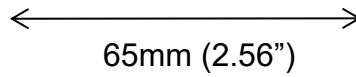
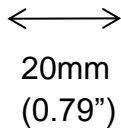
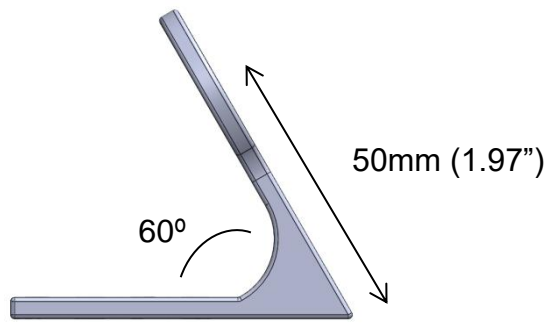
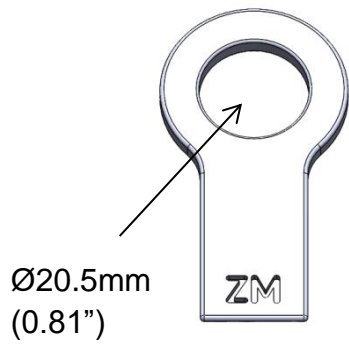
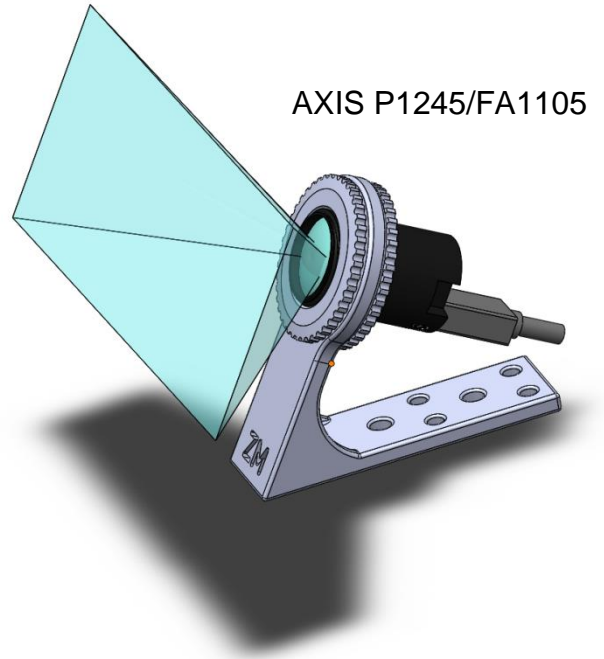
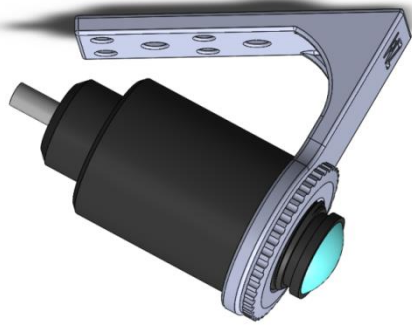


Order by using this link:

[ZM19 - Bracket 50mm, 60 deg](#)

The parts are intended for indoor use.

ZM19 - Bracket 50mm 60deg



Material thickness
4mm(0.16")

