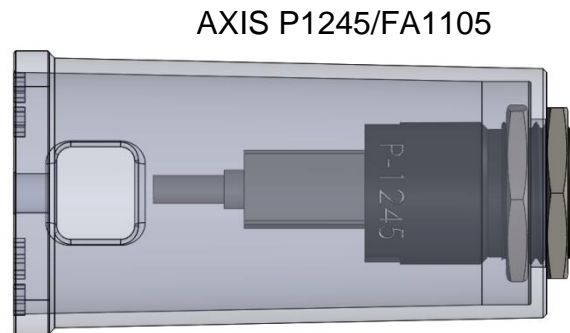
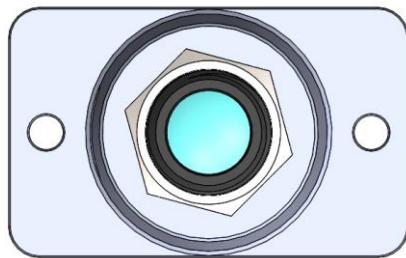
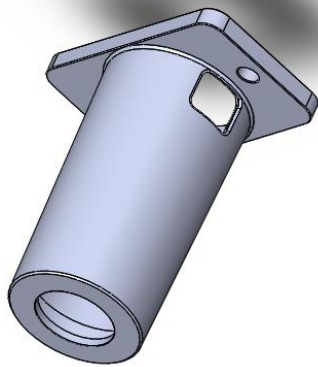


# ZM22 - Mount Cone 40mm profile

This mount is designed for straight modular cameras using an M20x1.5mm thread.

Cameras that fit are e.g. AXIS P1245/FA1105, F1005-E, F1035-E, P1214, P1214-E, P1224-E and P1280-E

It can be mounted on aluminum strut profiles with a width of 40mm. It is tested and verified on 40mm Bosch Rexroth profile, but it can also be mounted on other profiles or directly on any surface.



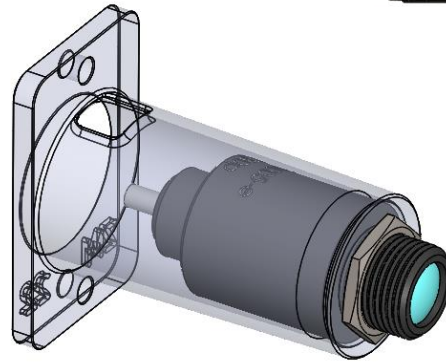
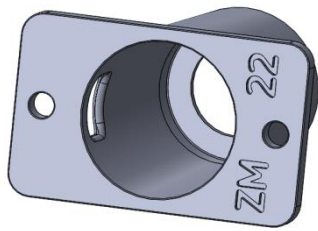
## [ZM22 - Mount Cone 40mm profile](#)

The parts are intended for indoor use.

**Note that the M20x1.5mm  
nuts are not included.**

# ZM22 - Mount Cone 40mm profile

AXIS P1245/FA1105  
+ ZM11 (Strain relief)



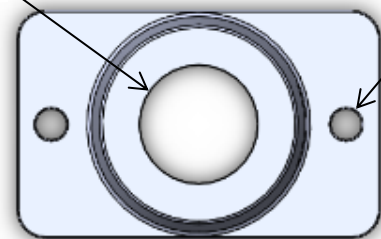
AXIS F1005-E

Ø20.8mm  
(0.82")

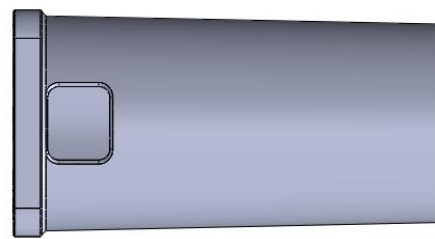
52mm (2.05")

Ø5.5mm (0.22")

40mm  
(1.57")



64mm (2.52")



75mm (2.95")