

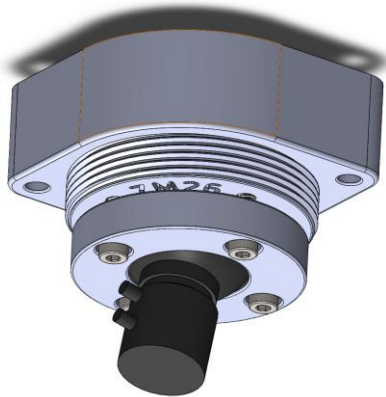
ZM26 - Mount Ball Camera

This rugged mount is designed for the ball camera that is used inside the AXIS P1275/FA4115 Dome Sensor Units. The camera is removed from the Axis housing and is placed in this rugged housing. The camera is secured with four screws.

The mount works with AXIS P1275 and F4115.

It can be mounted on aluminum strut profiles with a width of 40mm. It is tested and verified on 40mm Bosch Rexroth profile, but it can also be mounted on other profiles or directly on any surface.

4pcs M4x25mm screws and 4pcs M4 nuts are needed to assemble the mount. A protection shroud, ZM27, is available as an accessory.



Note that the screws and the nuts are not included.

Order by using this link:

[ZM26 - Ball camera mount](#)

The parts are intended for indoor use.

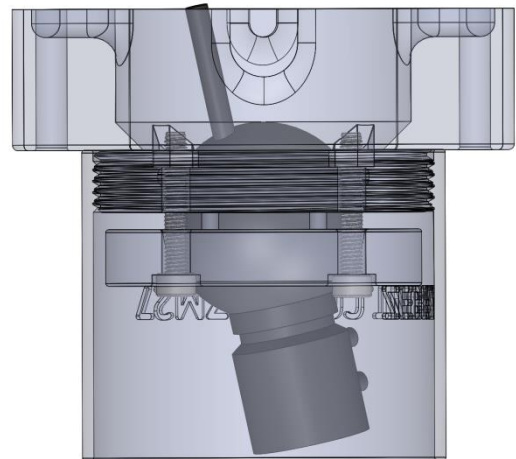
ZM26 - Mount Ball Camera



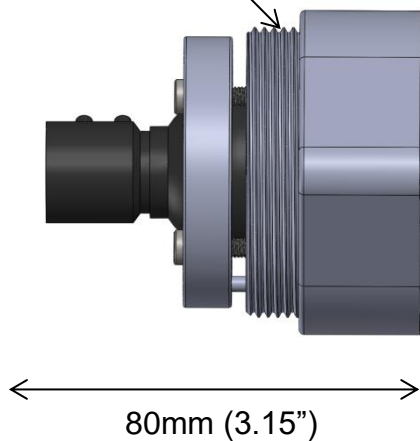
The mount must be separated into two parts before mounting the camera.

4pcs M4x25mm screws and 4pcs M4 nuts are needed to assemble the mount.

(Screws and nuts are not included in the mount)



Thread that fits ZM27, a protection shroud



Hole - hole
75mm (2.95")

