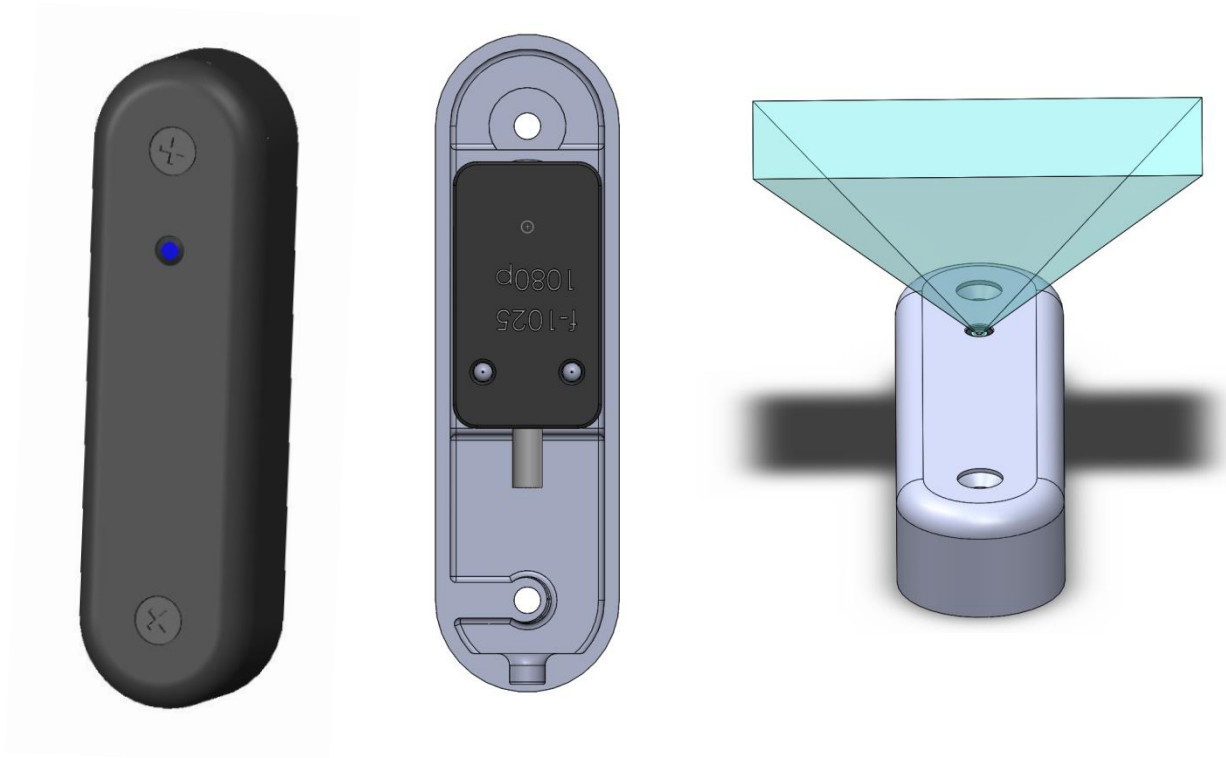


ZM30 - Discreet Mount AXIS F1025

This mount is designed for the pinhole camera AXIS F1025.

The design offer a discreet way to mount a pin hole camera, e.g. in a doorway.

The cable may be routed through the wall or along the wall.

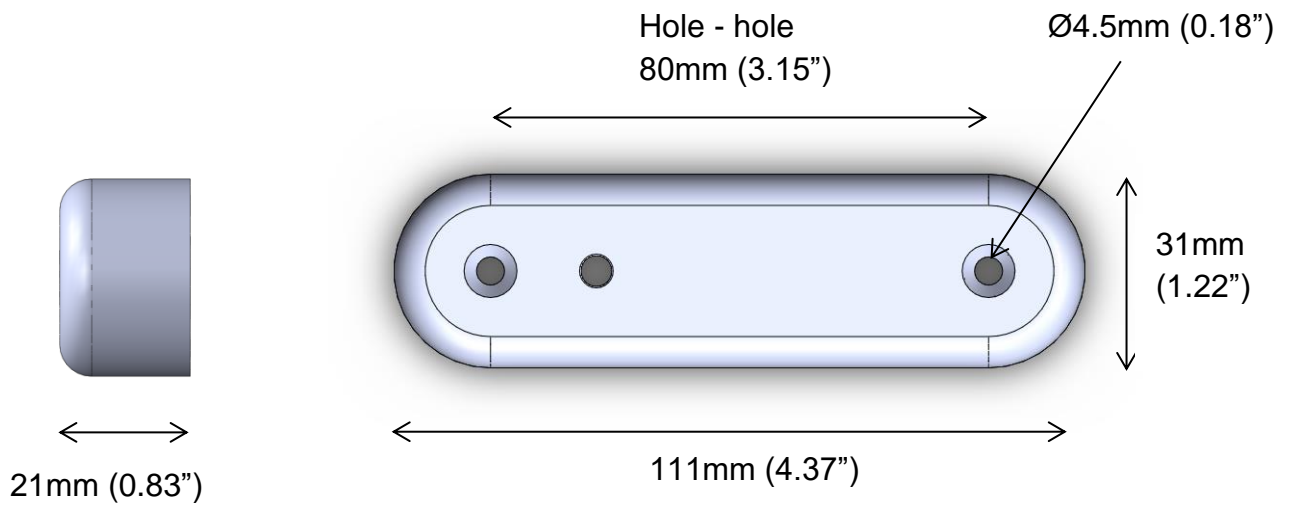
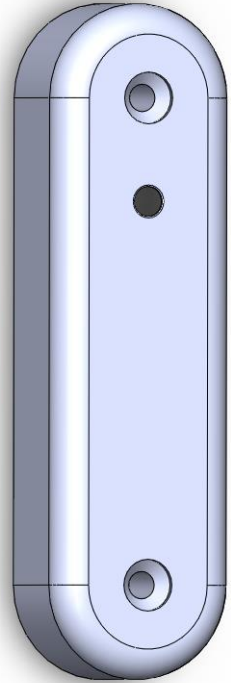
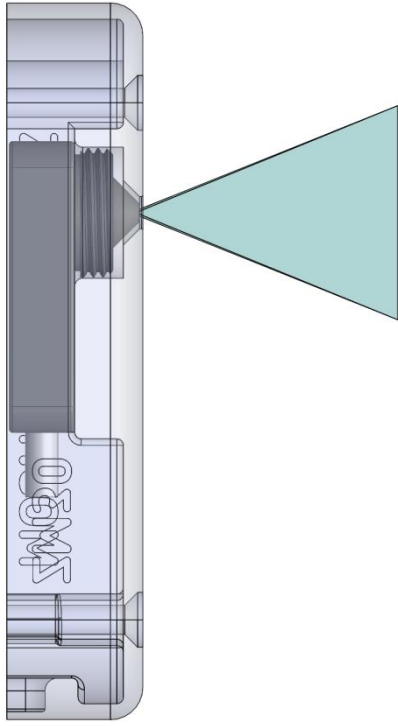


Order by using this link:

[ZM30 - Discreet Mount for AXIS F1025](#)

The parts are intended for indoor use.

ZM30 - Discreet Mount AXIS F1025



The design is made for countersunk screws.