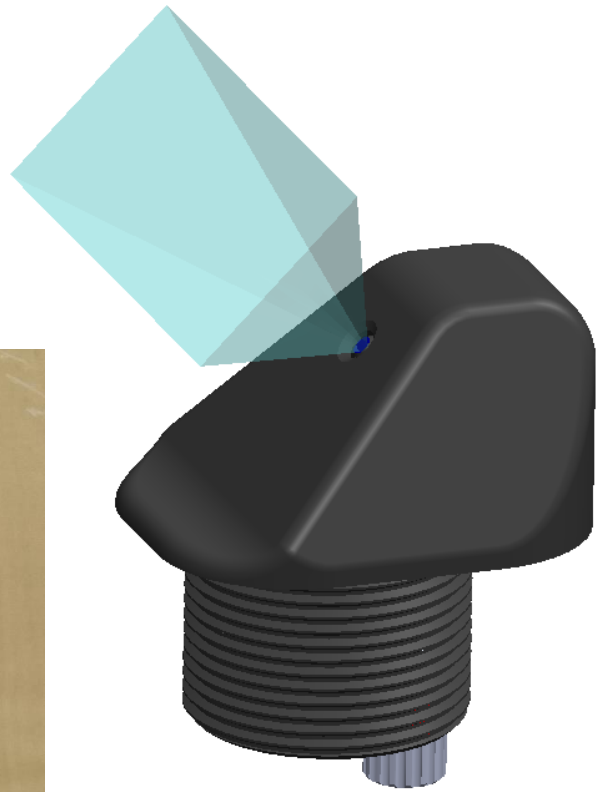


# ZM37 - Counter Mount AXIS P1265

This discreet mount is designed for the pinhole cameras AXIS P1265 and FA1125.

The design offer a discreet way to mount a camera in a counter to get good head shots, e.g. in a casino or in a bank.

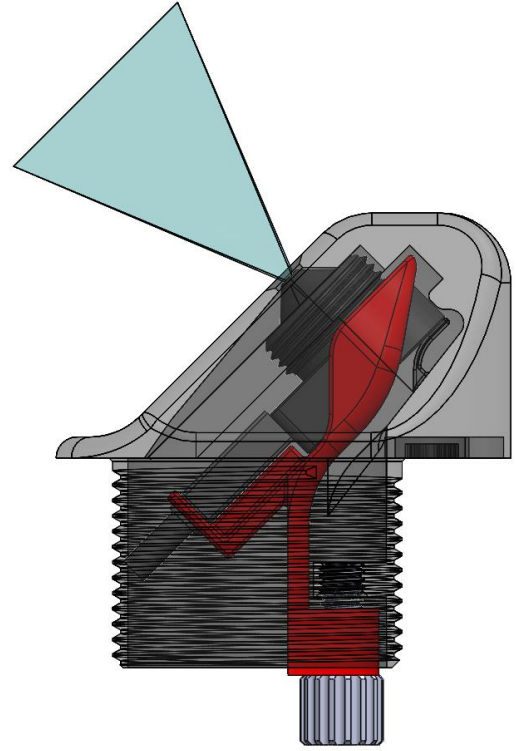


**Note that the 1-1/4" locknut  
is not included.**

Order by using this link:

[ZM37 - Counter Mount for AXIS P1265 and FA1125](#)

# ZM37 - Counter Mount AXIS P1265



Attach the camera to the sledge. Place the sledge into the casing. Secure the sledge with the screw. Mount the casing using a 1-1/4" locknut.

1-1/2" Thread  
Use a 1-1/4" locknut (not included)

