

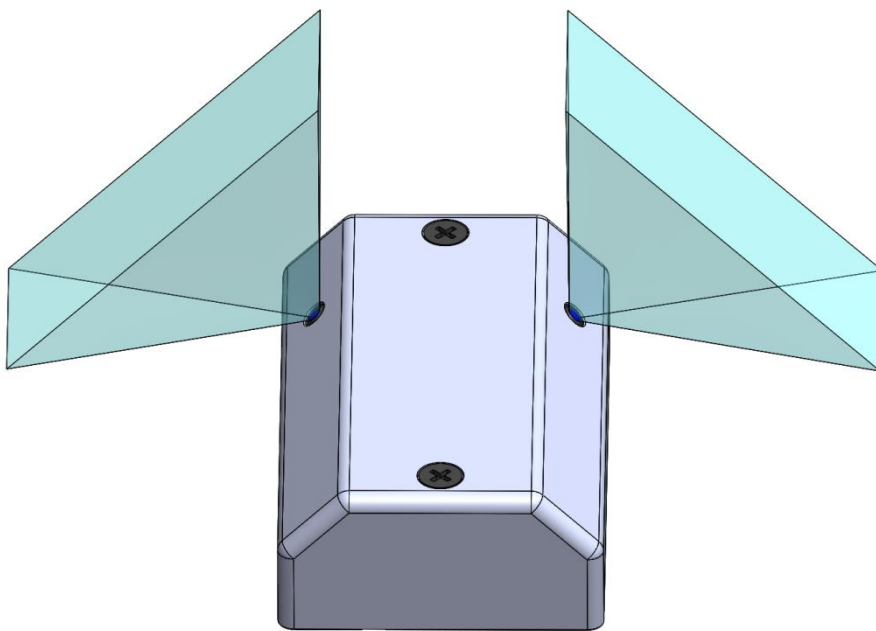
# ZM40 - Discreet Mount Double AXIS P1265

This mount is designed for the pinhole cameras AXIS P1265 and FA1125. These cameras provide video with 91x45 deg. viewing angle.

The design offer a discreet way to mount two pin hole cameras, e.g. in a corridor, to get good face shots, even when the person is wearing a baseball cap or a hood. The two cameras will give a full 180° view, from wall to wall.

The mounts are designed to be placed, in eye level. The cameras will look straight into a person's face. It is ideal anywhere when reliable identification is necessary.

The cable may be routed through the wall or along the wall.



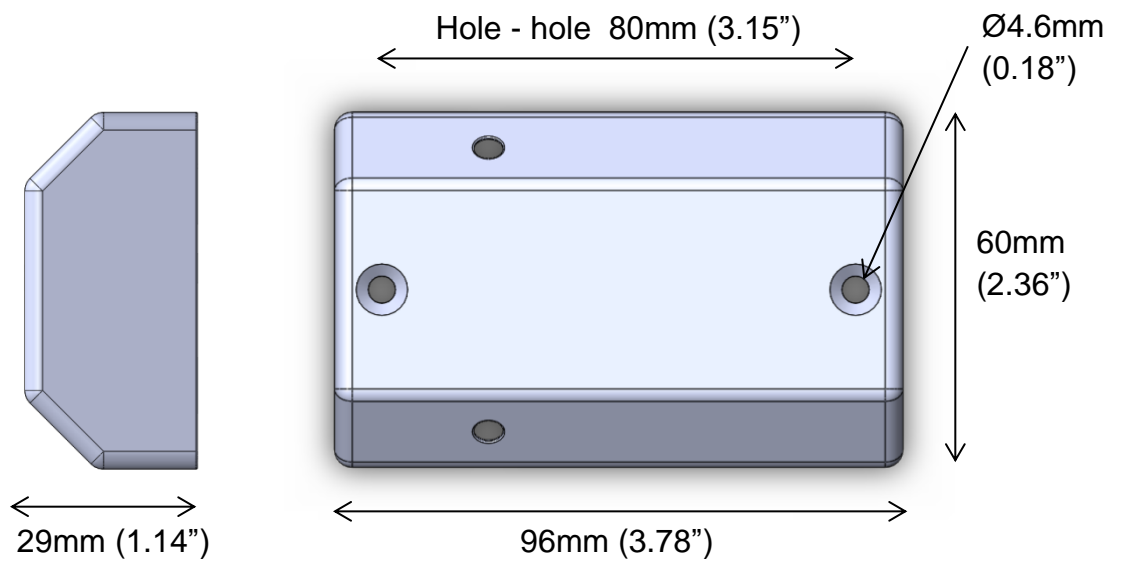
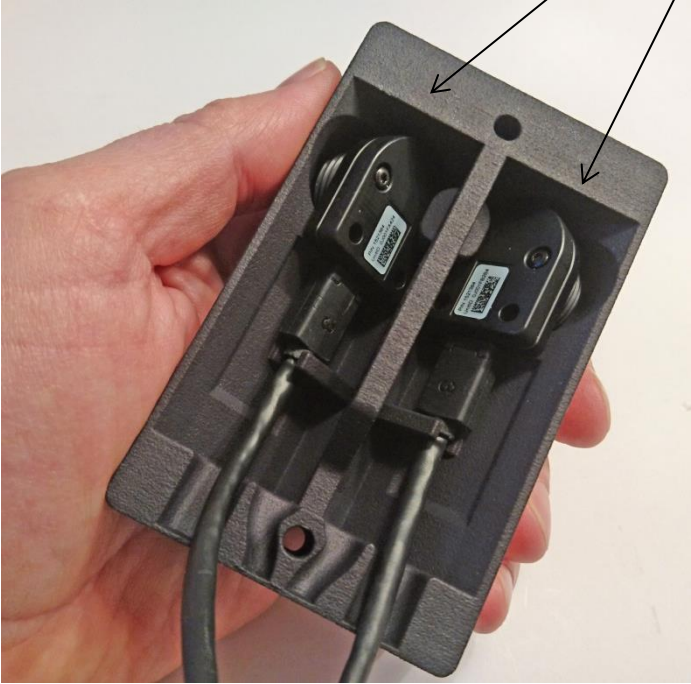
Note, that a rounded version is also available. Part no. ZM41.

Order by using this link:

[ZM40 - Discreet Mount Double for AXIS P1265 and FA1125](#)

# ZM40 - Discreet Mount Double AXIS P1265

If needed, place pads between the cameras and the wall.



The design is made for countersunk screws.