

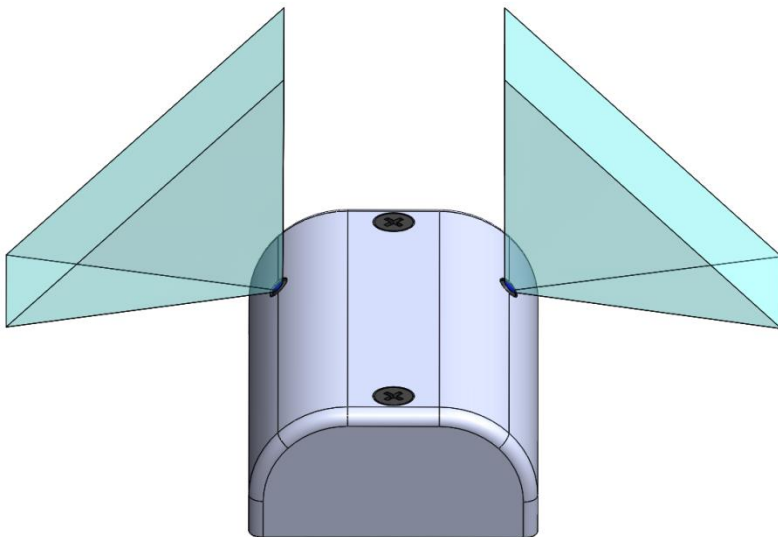
ZM41 - Discreet Mount Double Rounded AXIS P1265

This mount is designed for the pinhole cameras AXIS P1265 and FA1125. These cameras provide video with 91x45 deg. viewing angle.

The design offer a discreet way to mount two pin hole cameras, e.g. in a corridor, to get good face shots, even when the person is wearing a baseball cap or a hood. The two cameras will give a full 180° view, from wall to wall.

The mounts are designed to be placed, in eye level. The cameras will look straight into a person's face. It is ideal anywhere when reliable identification is necessary.

The cable may be routed through the wall or along the wall.



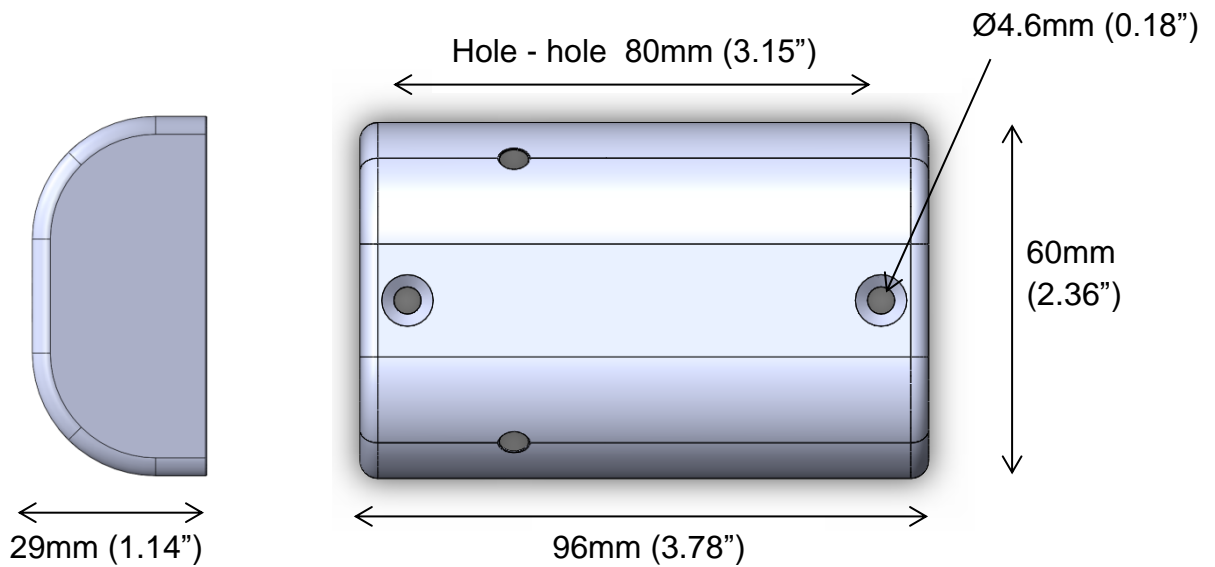
Note, that an alternate version is also available. Part no. ZM40.

Order by using this link:

[ZM41 - Discreet Mount Double for AXIS P1265 and FA1125](#)

ZM41 - Discreet Mount Double Rounded AXIS P1265

If needed, place pads between the cameras and the wall.



The design is made for countersunk screws.