

# ZM42 - Wedge for AXIS A8105-E

This wedge is designed to be used with the AXIS A8105-E Network Door Station. It will position the door station at a 30-degree angle, either right or left.

The angle will improve the image quality along the wall as the fish eye lens in the door station has low resolution in the outer areas. This will improve identification of the visitors.

If the door station has to be mounted at a distance from the door, the angle will make the door station face the visitors, resulting in a more intuitive experience.



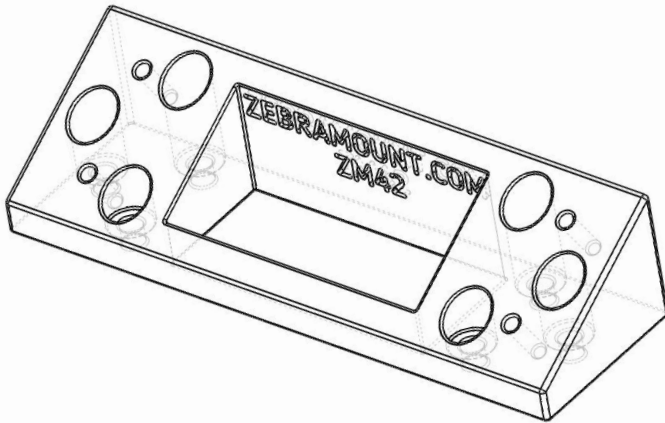
Order by using this link:

[ZM42 - Wedge for AXIS A8105-E Door Station](#)

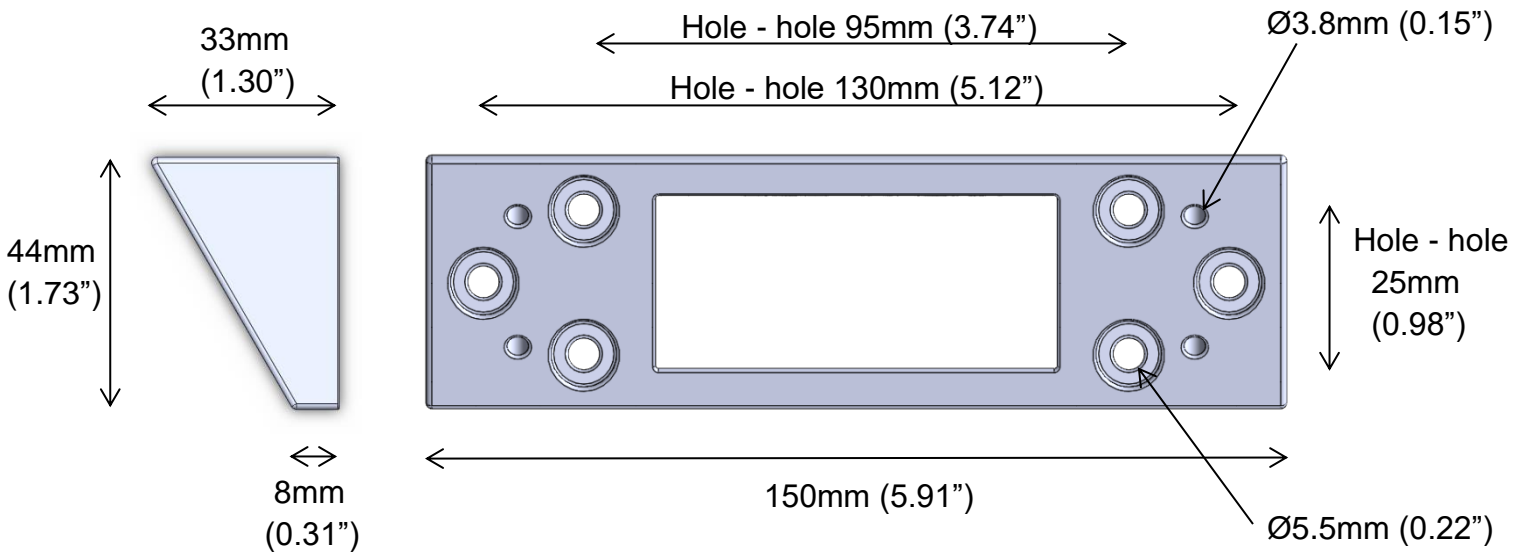
**Note that the mounting screws are not included.**

# ZM42 - Wedge for AXIS A8105-E

The wedge will position the door station at a 30-degree angle, either right or left.



Four screws are needed to attach the door station mounting plate to the wedge. E.g. 4.2x13mm or #8x1/2" screws will work.





# ZM42 - Wedge for AXIS A8105-E

